

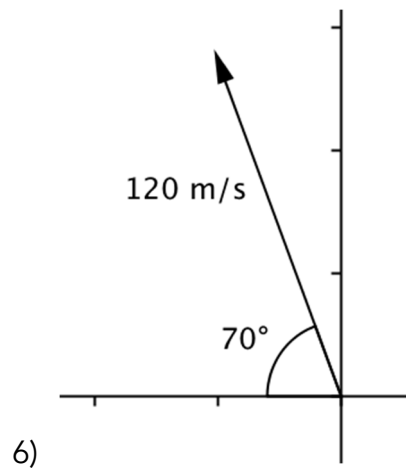
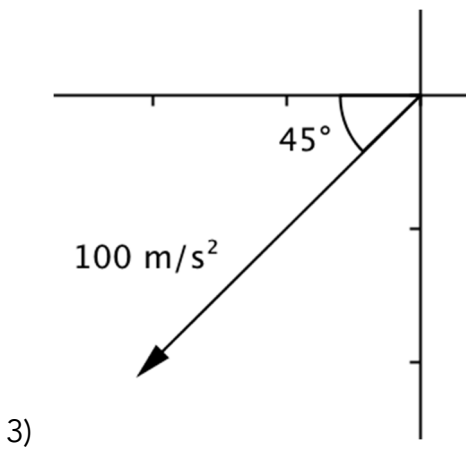
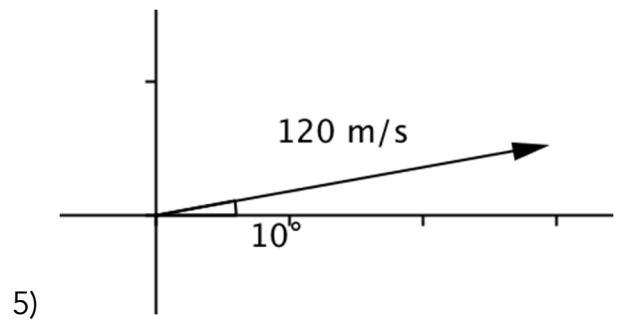
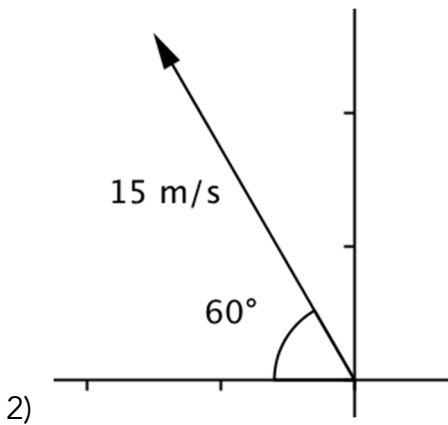
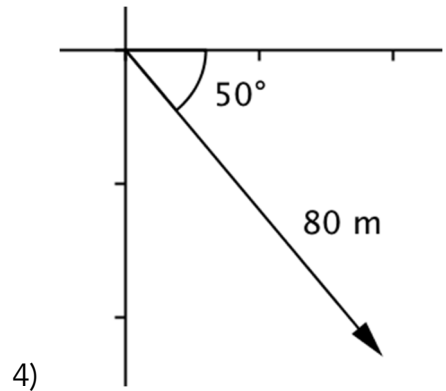
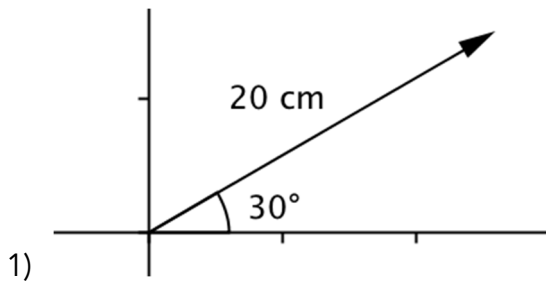
Name: \_\_\_\_\_

Date: \_\_\_\_\_

MCHS Honors Physics 2014-2015

**Vector Addition 1**

Using the sin (sine) and cos (cosine) functions, resolve the following vectors into an x and y component. Show all work on this sheet. Be sure to indicate the sign of each component.



Name: \_\_\_\_\_

Date: \_\_\_\_\_

